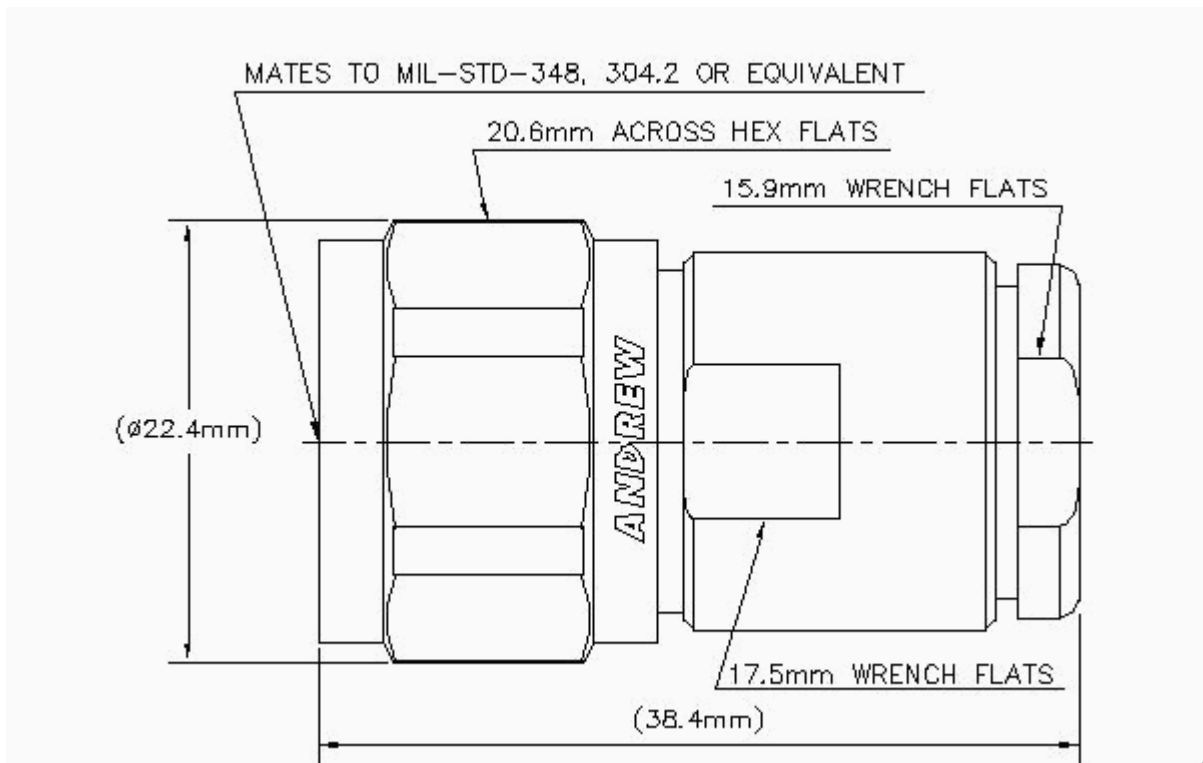


400APNM-C

CONNECTOR: BRAIDED CABLE CNT-400/C2FP TYPE N MALE, SPRING FINGER, CLAMP OUTER CONTACT



Interface type	N Male
Interface mates to	N Female

Electrical

Recommended maximum operating frequency, GHz	11.00	Connector Limited
Peak power, max, kW	10.00	Connector Limited
Average power, max, kW @ 900 MHz	0.58	Cable Limited
dc test maximum voltage	2,500.00	Cable Limited
RF operating voltage, max, VRMS	707.00	Connector Limited
RF high potential, max, VRMS	5,000.00	Connector Limited
Inner contact resistance, milliohms (Outer)	1.00 (0.25)	
Insulation resistance, min, Megaohms	5,000.00	Connector Limited
Shielding effectiveness, dB	90.00	
Connector impedance, Ohms	50.00	
Cable impedance, Ohms	50.00	
Insertion loss, max, dB	0.05 $\sqrt{\text{frequency(GHz)}}$	
Connector Return Loss, dB		
	<u>Start</u>	<u>Stop</u>
	0.00 -	3.00 GHz
	3.00 -	6.00 GHz
		<u>Return Loss</u>
		-35.00
		-25.00

Mechanical

Customer Support Center:

From North America: 1-800-255-1479
 International: +1-708-873-2307

www.andrew.com

This Specification Sheet is for reference only and is subject to change without notice.
 Copyright © 2007 Andrew Corporation
 24 April 2007

400APNM-C

CONNECTOR: BRAIDED CABLE CNT-400/C2FP TYPE N MALE, SPRING FINGER, CLAMP OUTER CONTACT

Inner attachment method	Captivated
Outer attachment method	Clamp
Connector weight, g	77.00
Pressurizable	No
Coupling nut retention force, N (lb)	445.00 (100.04)
Minimum coupling nut torque, N-m (lb-in)	0.70 (6.20)
Insertion force, N (lb)	100.00 (22.48)
Minimum connector retention tensile force, N (lb)	330.00 (74.19)
Minimum connector retention torque, N-m (lb-in)	0.56 (4.96)

Environmental

Moisture resistance test	IEC 529, IP68
Mechanical shock test	IEC 68, part 2-27
Corrosion test	IEC 68-2-11
Thermal shock test	MIL-STD-202F, Method 107G
Vibration test	IEC 68, Part 2-6
Operating temperature range, °C	-40.00°C - 85.00°C
Storage temperature range, °C	-65.00°C - 125.00°C
Immersion test, mated connectors	IEC 529:1989,IP68

Components

Interface {Trimetal Plate}	Material: Brass	Exterior finish: Trimetal Plate
.812 Hex Coupling Nut (Trimetal Plate)	Material: Brass	Exterior finish: Trimetal Plate
N Gasket	Material: Silicone Rubber	
Spring Retaining Ring	Material: Phosphor Bronze	
Insulator	Material: PTFE	
Washer {Trimetal Plate}	Material: Brass	Exterior finish: Trimetal Plate
Clamping Nut {Trimetal Plate}	Material: Brass	Exterior finish: Trimetal Plate

Customer Support Center:

From North America: 1-800-255-1479
 International: +1-708-873-2307

www.andrew.com

This Specification Sheet is for reference only and is subject to change without notice.
 Copyright © 2007 Andrew Corporation
 24 April 2007